

Cables

for force and torque sensors

Connecting cable for piezoelectric sensors (high isolated, low noise)

Type	Lengths (m)	Description	Used for
1631C...	0,5/1/2/3/5/10/20/sp	10-32UNF pos. - BNC pos., <200 °C	for force and torque sensors and force links with 10-32 UNF neg. connector
1633C...	0,5/1/2/5/sp	10-32UNF pos. - TNC pos., <200 °C	as 1631C...
1635C...	0,5/1/2/5/10/sp	10-32UNF pos. - 10-32UNF pos., <200 °C	as 1631C...
1641A...	0,5/1/2/5/sp	10-32UNF pos. angle -BNC pos., <200 °C	as 1631C...
1939A...	1/2/3/sp	10-32UNF pos. int. - BNC pos., <200 °C	as 1631C... with O-ring seal or to be welded
1941A...	1/2/3/sp	10-32UNF pos. int. - TNC pos., <200 °C	as 1631C... with O-ring seal or to be welded

000-346e-02.02 (DB15.011e)


Connecting cable for piezoelectric sensors (high isolated, low noise)

Type	Lengths (m)	Description	Used for
1943A...	1/2/3/sp	10-32UNF pos. int. - Mini-Coax neg., <200 °C	as 1631C... with O-ring seal or to be welded
1945A...	1/2/sp	10-32UNF pos. int. - Mini-Coax neg., <200 °C	as 1631C... with O-ring seal or to be welded for mounting into tools
1609B...	2/5/10/20/50/sp	TNC pos. - BNC pos., <70 °C	Sensors with TNC neg. connector 9081A, 9091A, 9275, 9277A...
1610A...	2/5/10/sp	TNC pos. - BNC pos., <200 °C	as 1609B... up to 200 °C
1619B...	5/10	TNC pos. - BNC pos., <70 °C	as 1609B... with metal shield

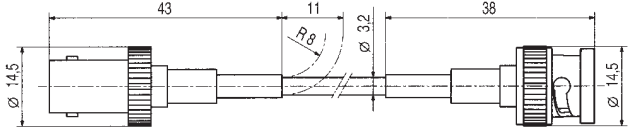
000-346e-02.02 (DB15.011e)

Extension cable (high isolated, low noise)

Type	Lengths (m)	Description	Used for
1637C...	5	10-32UNF neg. - 10-32UNF pos., <200 °C	general use

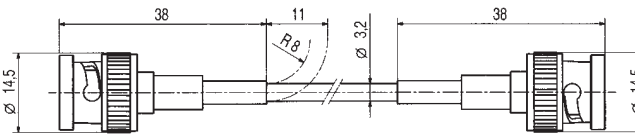


1603B...	2/5/10/20/50/sp	BNC neg. - BNC pos., <70 °C	general use
----------	-----------------	-----------------------------	-------------

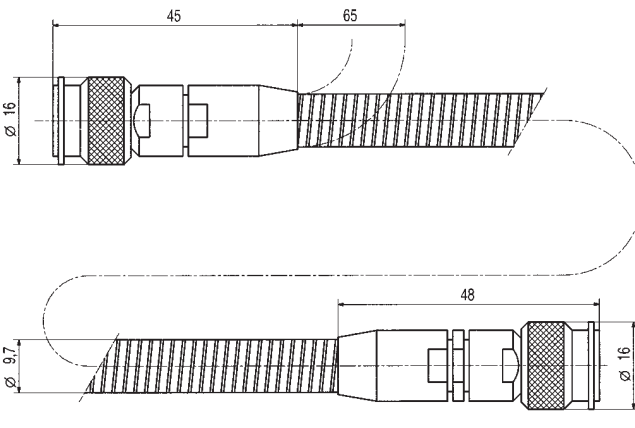


Connecting cable (high isolated, low noise)

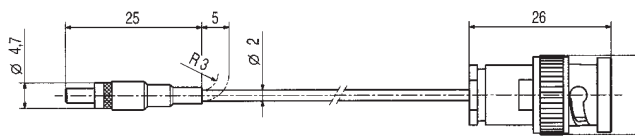
Type	Lengths (m)	Description	Used for
1601B...	0,5/1/2/5/10/20/sp	BNC pos. - BNC pos., <70 °C	general use



1615B...	5	TNC pos. - TNC pos., <70 °C	as 1605B... with metal shield
----------	---	-----------------------------	----------------------------------



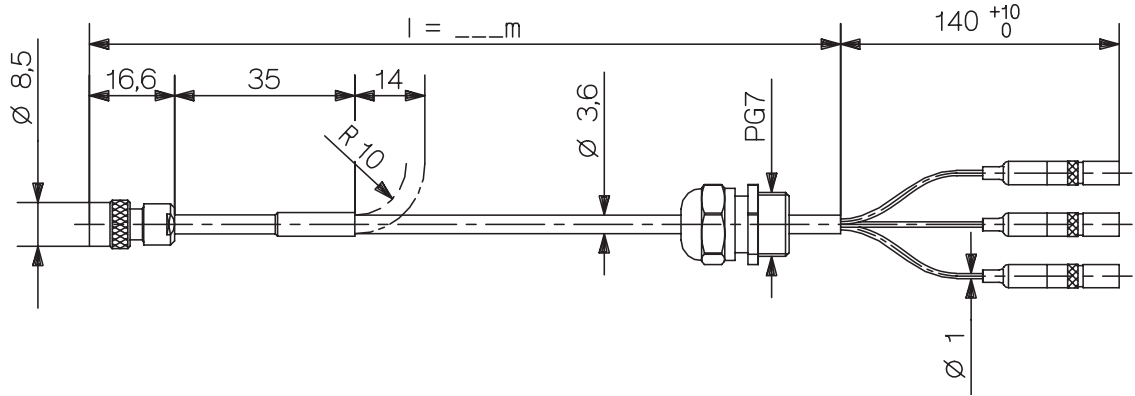
1937A...	1	Mini-Coax pos. - BNC pos., <200 °C	test cable
----------	---	------------------------------------	------------



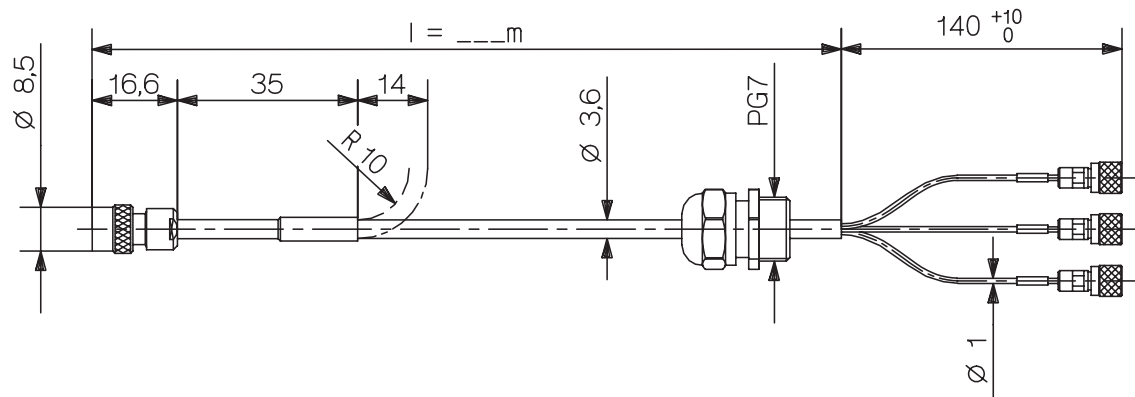
000-346e-02.02 (DB15.011e)

Connecting cable for piezoelectric sensors (high isolated, low noise)

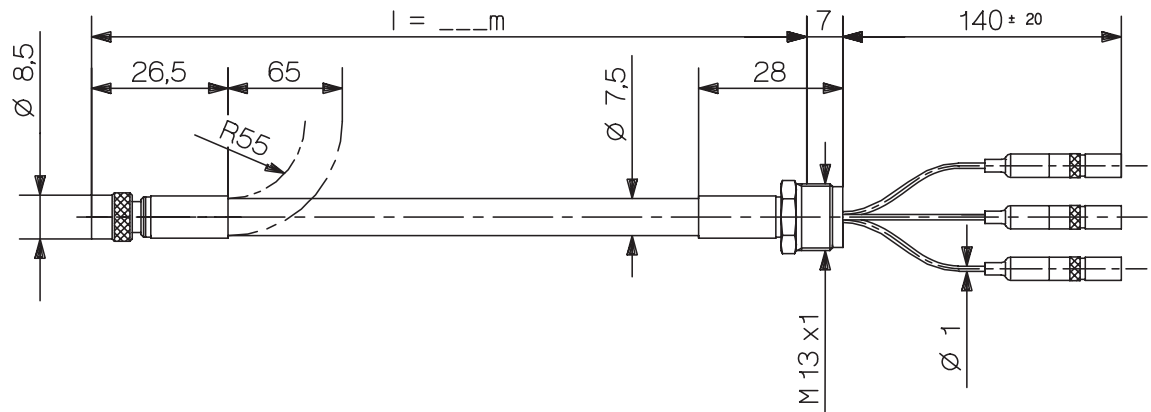
Type	Lengths (m)	Description	Used for
1693A...	1/2/5/sp	Multipole M8 x 0,75 - 3 x Mini-Coax neg.	for 3-component Force Sensors with Multipole M8 x 0,75 Connector



1694A...	1/2/5/sp	Multipole M8 x 0,75 - 3 x 10-32 pos.	as 1693A...
----------	----------	--------------------------------------	-------------



1695A...	2/sp0,2-2/sp>2-5	Multipole M8 x 0,75 - 3 x Mini-Coax neg.	as 1693A... with protecting hose, O-Ring seal or to be welded
----------	------------------	--	---



000-346e-02.02 (DB15.011e)